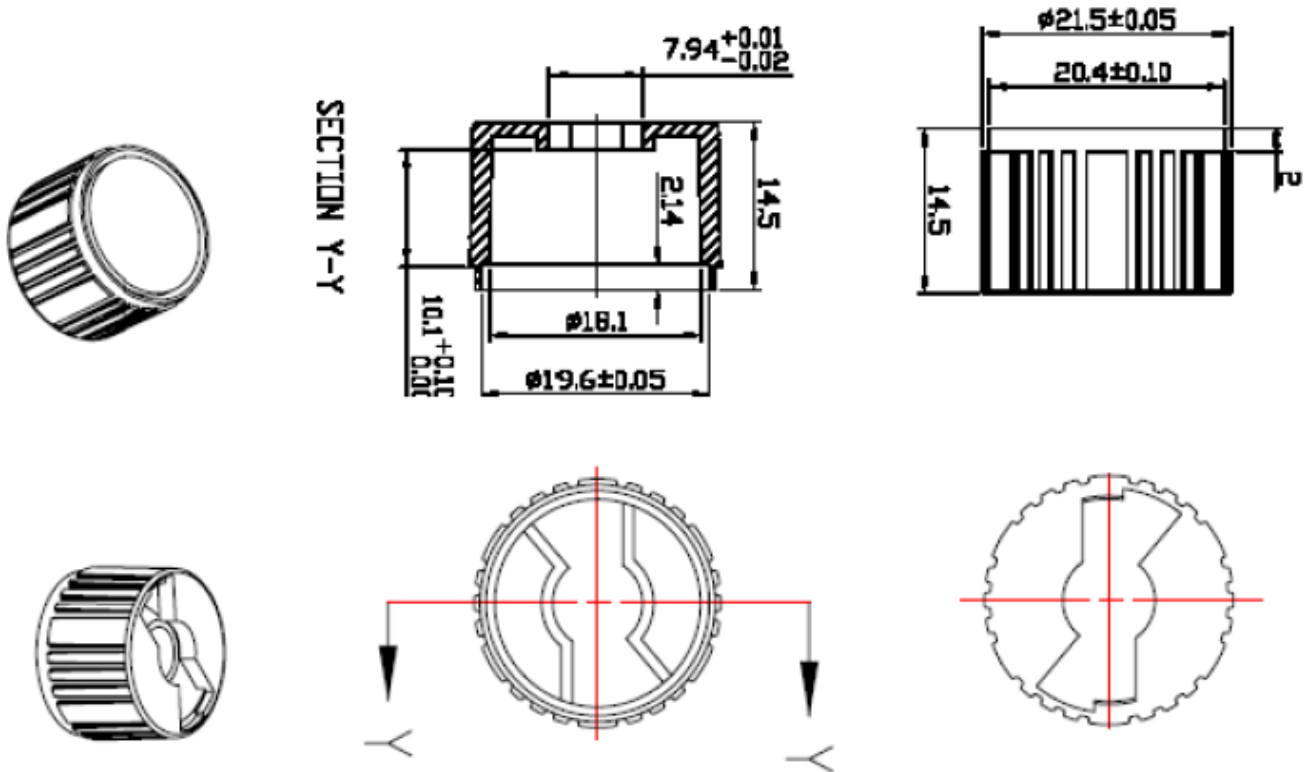


■ Package Dimension:



Part No.	Radiation Diagram ($\theta_{1/2}$)	Operating Temperature (Topr)	Storage Temperature (Tstg)	Package Color
LN-W21.6mmx14.5mmx15	15°	-40~+85°C	-40~+85°C	White

Notes

1. Drawings not to scale
2. All dimensions are in millimeters .
3. Tolerance is ± 0.1 mm unless otherwise noted.
4. Protruded resin under flange is 1.0mm max.
5. Lead spacing is measured where the leads emerge from the package.