

Part No.

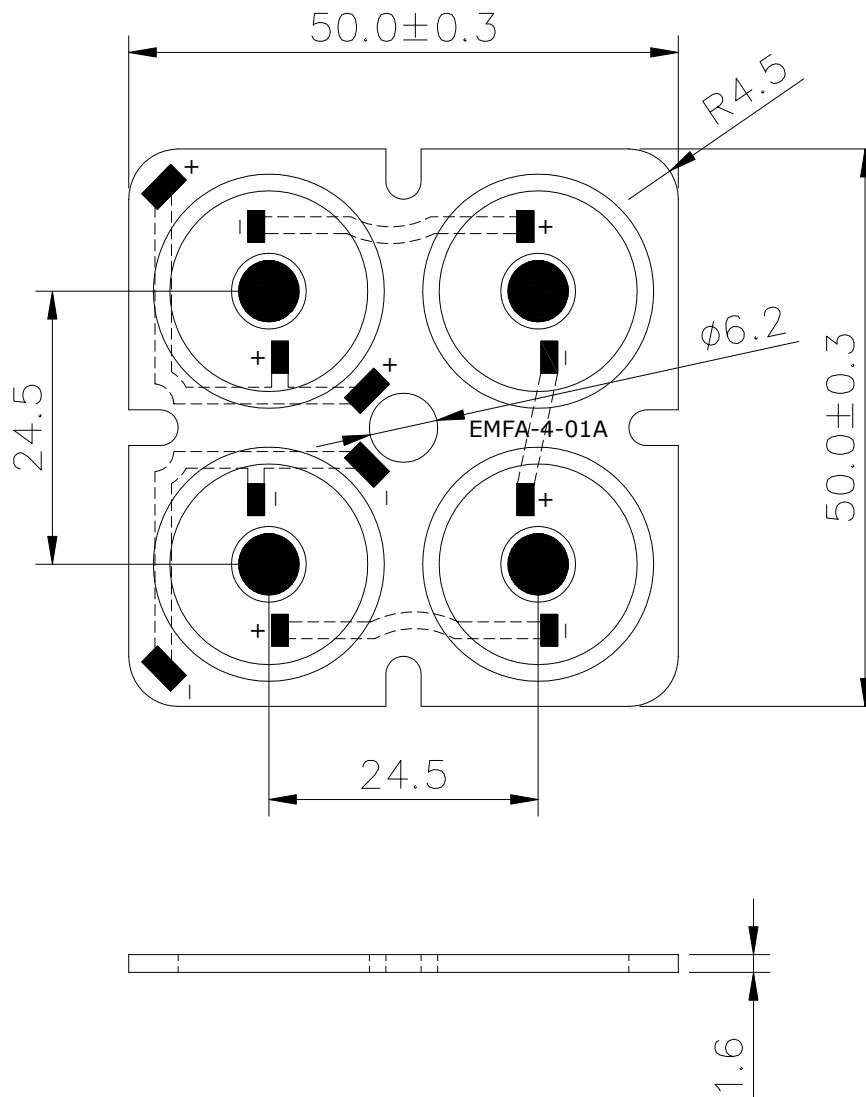
**V**

Diff No.161

50x50 mm

Aluminum PCB

Type : SQUARE

**■ Package Dimension:****Notes:**

1. All dimensions are in millimeter.
2. An epoxy meniscus may extend about.  $1.5\text{mm}(0.059\text{'})$  down to the lead
3. Tolerances unless Dimension  $\pm 0.25\text{mm}$ .