

Part No.

AB-DW0-15W

Diff No.

Ø180x95mm

LED Down Light

Type :

■ Product Photo:**■ Features:**

- LED power : 15 W.
- Dimension : Ø180 × 95mm.
- Emitted color : White.
- Chip material : InGaN.
- Long life LED span to 30,000 hours.
- High luminance, Lower power consumption.
- No UV or IR radition.
- Long life LEDs.

Part No.

AB-DW0-15W

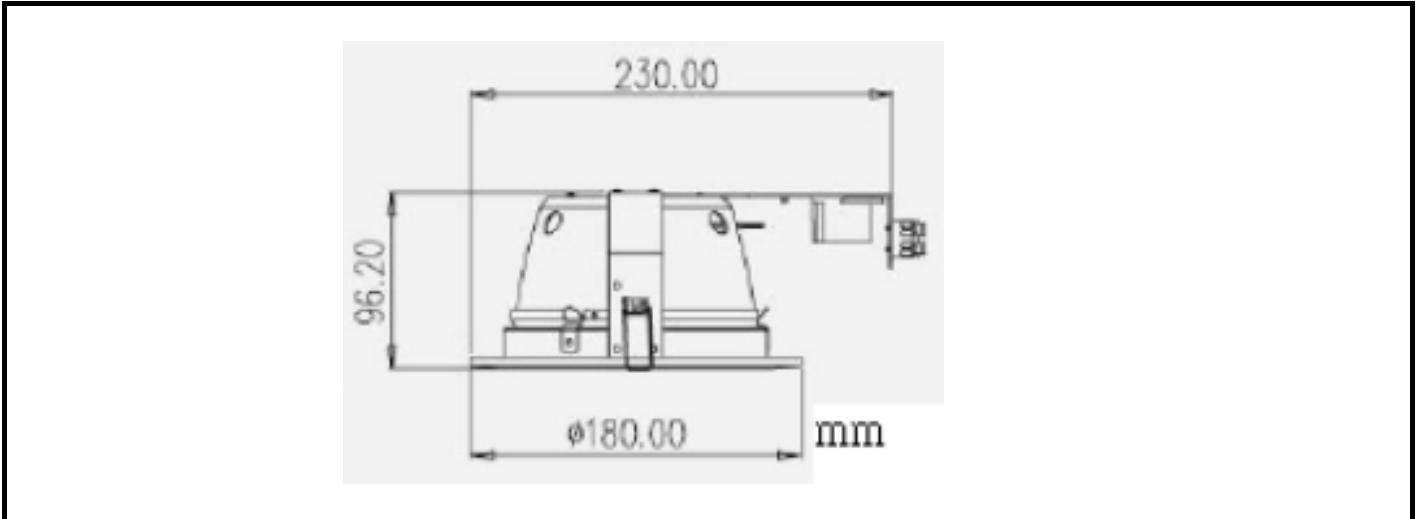
Diff No.

Ø180x95mm

LED Down Light

Type :

■ Product Dimension:



■ Specification:

Parameter	Symbol	Rating	Unit
Input Voltage	V_{IN}	AC 90~240, 50/60Hz	V
Emitting degree	$2\theta_{1/2}$	120	Deg.
Color Temperature	CCT	5000	K
Luminous Flux (at 2m)	Flux	900	Lm
Operating Temperature Range	Topr	-20 ~ 45	°C

Comparison for the LED 15W down lights and the traditional 23W electricity -saving down lights (based on 100 pcs)

Items	Traditional lights (electricity lights with sandblasting glass)	LED lights (with sandblasting glass)	Comparison	Remarks
Input Voltage (V)	either 110 V or 220 V	110V / 220V	—	LEDs applicable to both 110v and 220v
Power Dissipation (W)	23	15	8	LED saves 8W
Lux (2M)	37	50	13	LEDs much more 13 Lux
Lifespan(hr)	5000	30000	25000	LEDs much more 25000 hrs
Lamp Consumption Expense yearly	15000	0	15000	100 pcs * NTD 150= NTD 15000 saved
Electricity rate yearly (NTD)	28980	18900	10080	Power consumption /1000*12 hrs *25 days * 12 months * NTD 3.5 /degree * 100 pcs = NTD 10,080 saved
Electricians' maintenance charges	20000	0	20000	100*30 mins/60*400/hr= NTD 20,000 saved
Cost for 100 pcs of lamps yearly	63980	18900	45080	Lamp consumption expense + electricity rate /year+ electricians' maintenance charges = NTD 45,080 saved
Total saving amount on LEDs for 5 years			225400	NTD 45080 (yearly difference) * 5 years