

FESTOON LED BULB

Data Sheet

6pcs LED Bulb Series

AB-06XXXX-XXXX-XX

Description:

These high voltage LED bulbs are specifically designed for electric equipment, indicator light switch and where a wide view angle.

The 5mm round shaped radiation pattern (70°) and high luminous intensity ensure that these devices are excellent for wide field of view outdoor applications where a wide viewing angle and readability in sunlight are essential.

Selection guide:

AB-06XXXX-XXXX-XX

AB:A-BRIGHT product

5:Round type dimensions

X: Color

XXXV: Input voltage

X: Bulb Base

Feature:

- Wide view angle
- High luminous output
- Seven kind color
- Free to differentiate anode and cathode(Bi-Polar)
- Solid-state Vibration resistant
- Saving power
- Long life

Option:

- 12V DC
- Other industry standard base

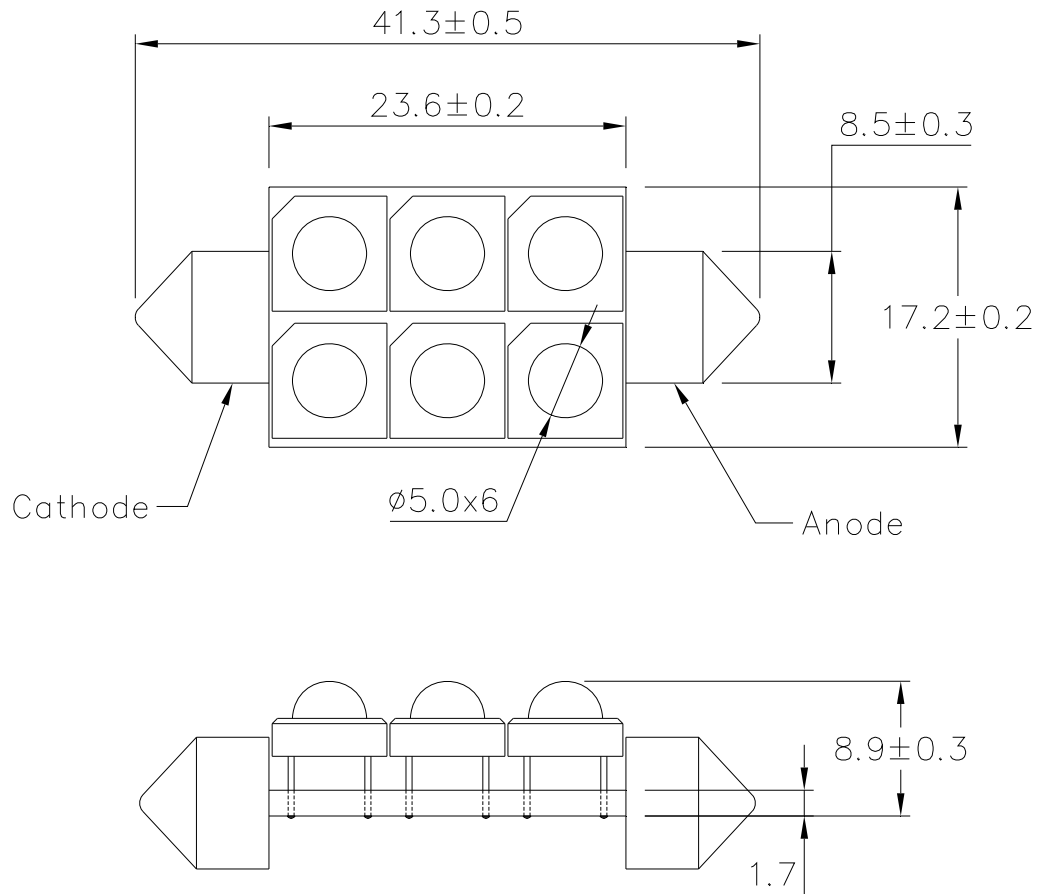
A-BRIGHT

A-BRIGHT INDUSTRIAL CO.,LTD.

Part No.: AB-0651R0-12VD-CF-B

6 Lamps LED Bulb

PACKAGE DIMENSIONS:



NOTE:

- 1. All dimensions are in millimeter.
- 2. All tolerance are ± 0.25 mm.

Part No.: AB-0651R0-12VD-CF-B

6 Lamps LED Bulb

FEATURE:

- SUPER LUMINOSITY RED LED (AlGaInP).
- WATER CLEAR PACKAGE.
- 5mm ALL RESIN MOLD.
- WIDE VIEWING ANGLE.
- ELECTRIC DC.

MATERIALS:

- LED LENS: UV RESISTENT EPOXY

ABSOLUTE MAXIMUM RATING: Ta = 25 °C

- PEAK OPERATE VOLTAGE..... 14 V
- OPERATING TEMPERATURE..... -25 TO +85°C
- STORAGE TEMPERATURE..... -35 TO +100°C
- LED BULB LIFE..... 50000 HOURS
(LUMINANCE REDUCES to 50%)

ABSOLUTE OPTICAL CHARACTERISTIC Ta= 25°C

PARAMETER		SYMBOL	MIN	TYP	MAX	UNIT
Power dissipation		P _O	----	0.5	----	W
Operate Voltage		V	----	12	14	V
Luminous Intensity	V _{IN} = 12V DC	I _V	----	5500	----	mcd
Peak Wavelength	V _{IN} = 12V DC	λ _D	----	630	----	nm
Forward Current	V _{IN} = 12V DC	I _F	----	35	----	mA
Viewing Angle		2θ _{1/2}	----	70	----	deg